



***10000 OASIS
BIFOLDING GLASS DOOR***

arcadia
www.arcadiainc.com

10000 OASIS

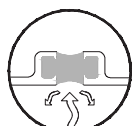
10000 OASIS THERMAL BIFOLDING GLASS DOOR



MULTIPLE OTHER CONFIGURATIONS AVAILABLE

VISIT OUR WEBSITE AT: WWW.ARCADIAINC.COM FOR THE FOLLOWING:

- Product Specifications (PDF) • Elevations & Plan Details (PDF & DWG)
- Product Warranty Information (PDF) Maintenance & Cleaning Guidelines (PDF)
- Product Installation Manuals (PDF)



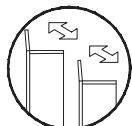
Thermal



Offset Fold



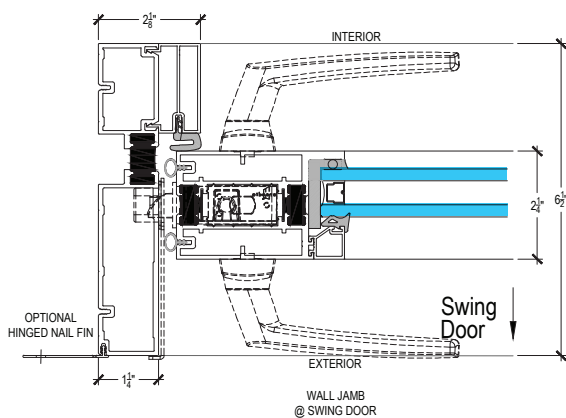
Impact



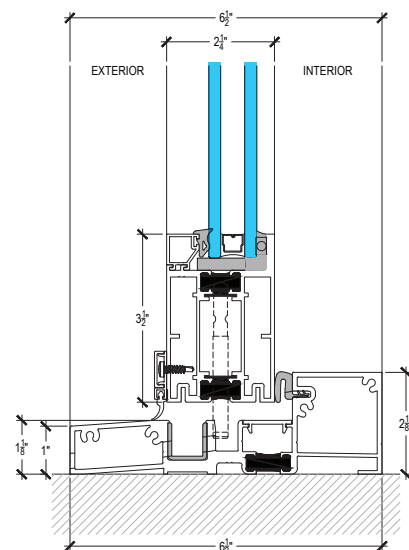
Bifolding



Top Hung



LATCH/LOCK JAMB



WEATHERED SILL

10000 OASIS

FEATURES/OPTIONS

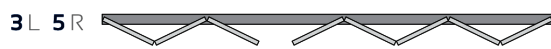
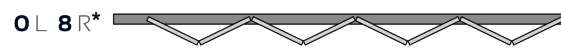
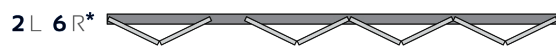
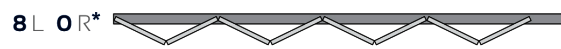
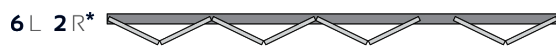
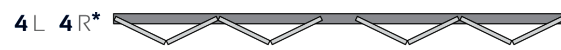
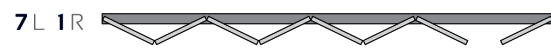
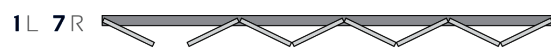
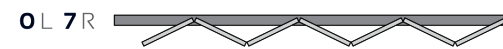
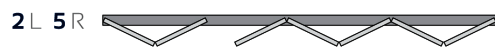
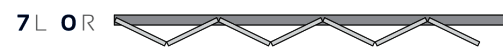
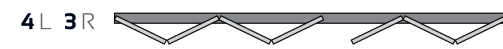
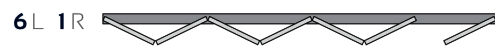
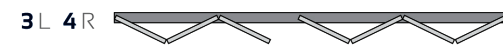
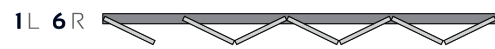
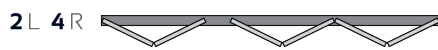
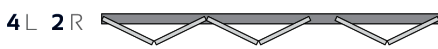
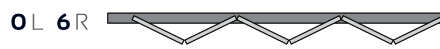
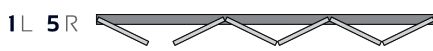
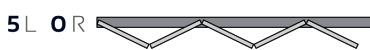
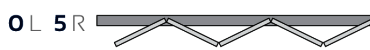
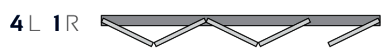
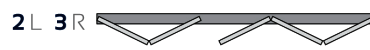
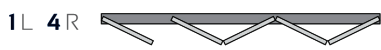
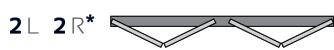
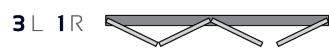
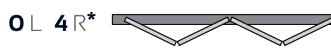
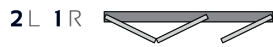
- Top hung for ease of operation
- Creates a Contemporary aesthetic with unlimited panel configurations and flawless transition from indoor to outdoor environment
- Impact tested to ASTM E 1996/1886 large missile hurricane 60 DP design load
- Standard engineered 2 1/8" weathered thermally broken threshold-Optional Non-weathered ADA ramp sill and ADA flush guide sill
- Outswing and Inswing stacking options
- Can be configured up to 8 folding doors in either direction with operable daily use or man door
- Individual door panels up to 39" wide, 10' tall, not to exceed 220lbs
- Overall length a maximum of 52' wide, 10' tall with up to 16 door panels
- Simulated divided light options
- Assa Abloy Interlock Aria handle-Optional Acacia (Vogue) handle
- Assa Abloy Interlock Aria twin bolt lock handle
- Assa Abloy Interlock Optimum (4-Point) stainless steel mortice deadbolt lock
- Durable stainless steel top hanging rollers
- Stainless steel strike plate
- Accommodates 1", 1 1/8", and 1 1/2" (IG) glass
- Any 70%PVDF Kynar/Hylar 5000, AAMA 2605 paint finish or anodized finish-Optional
- NFRC Component Modeling Approach (CMA) product certification program available



FEATURES

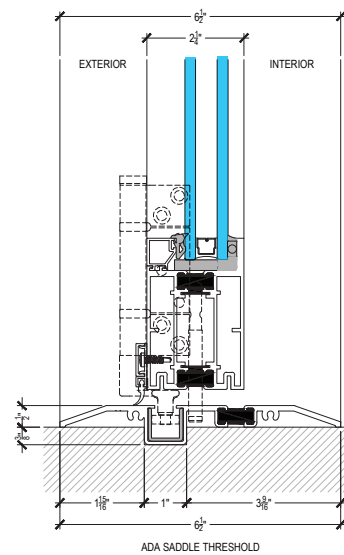
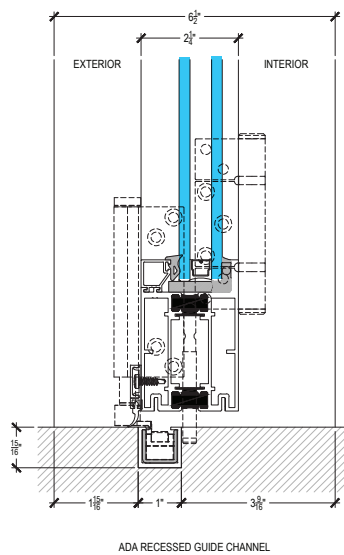
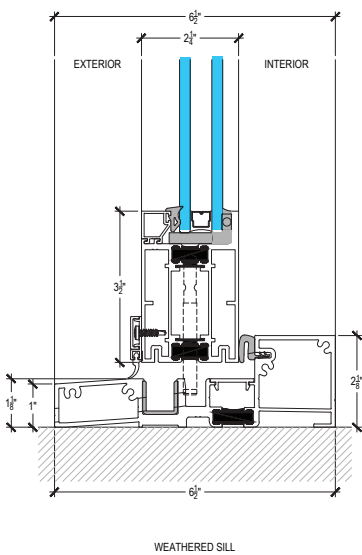
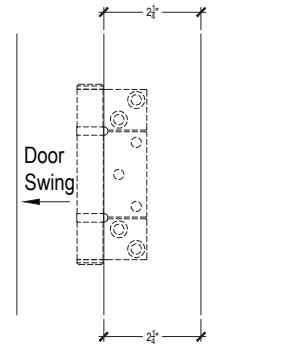
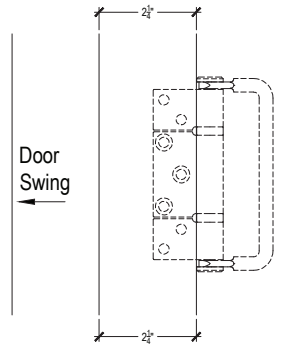
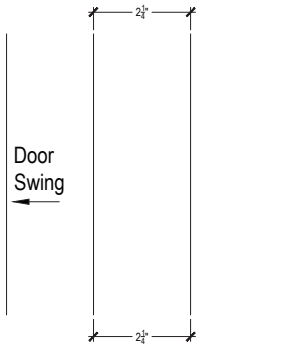
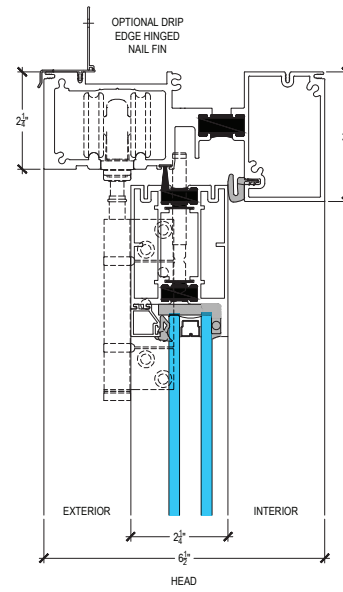
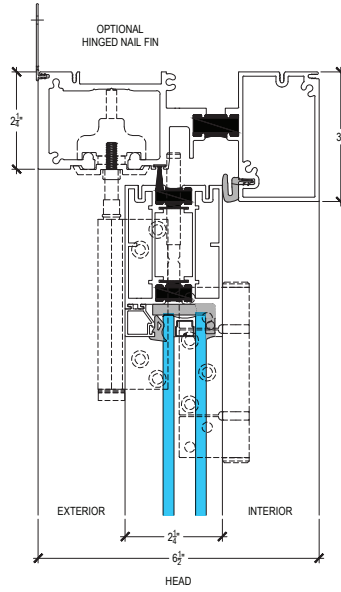
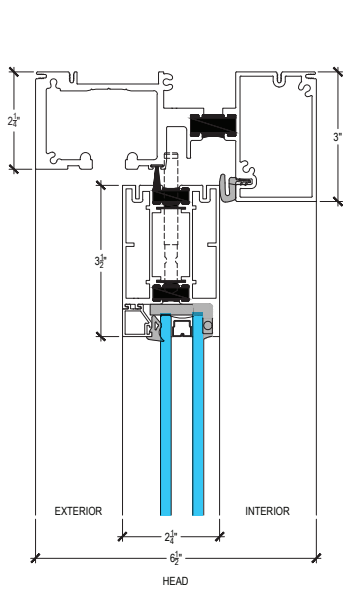
CONFIGURATIONS

10000 OASIS CONFIGURATIONS



*Inoperable from exterior

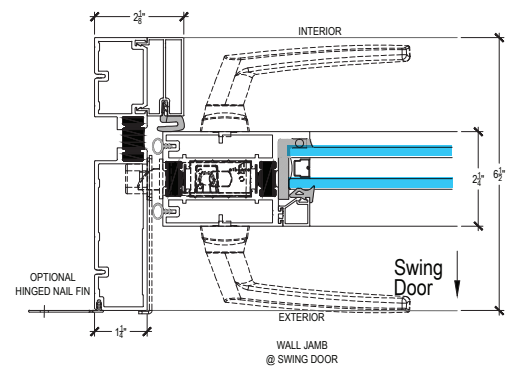
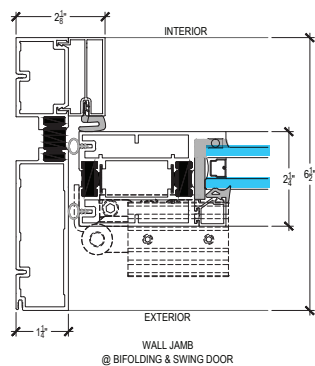
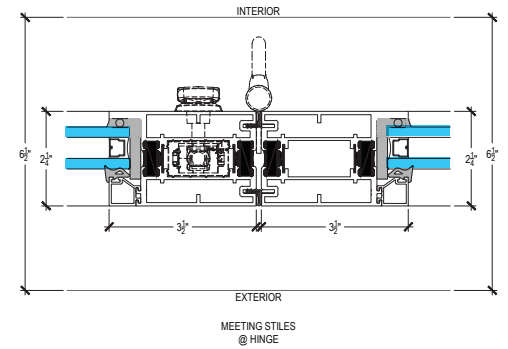
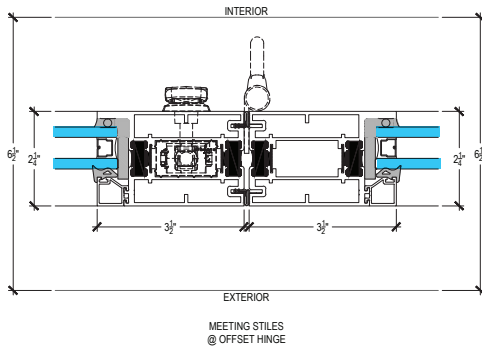
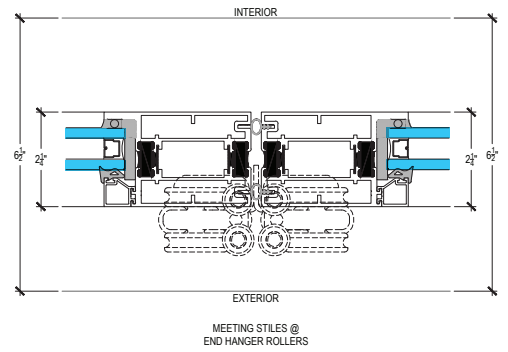
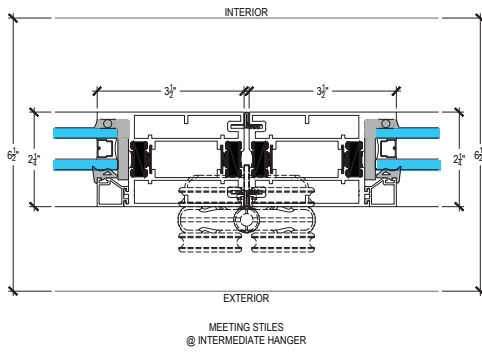
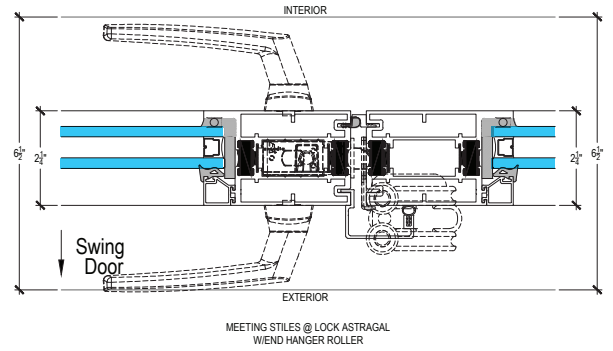
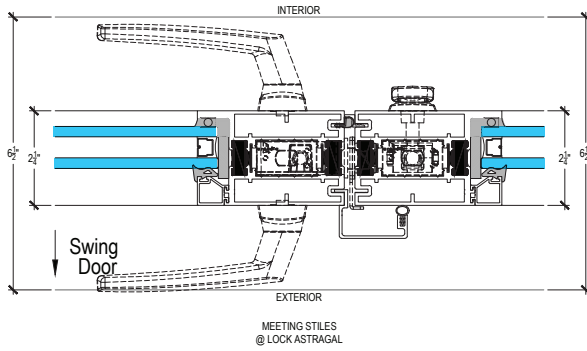
10000 OASIS DETAILS



DETAILS

10000 OASIS DETAILS

DETAILS



10000 OASIS

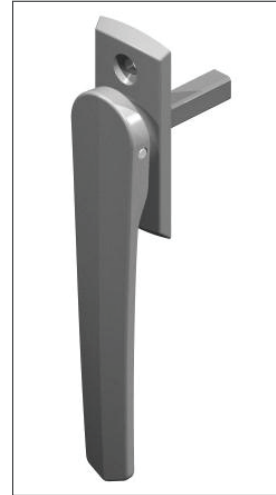
HARDWARE / OPTIONS



**ARIA HANDLE
(STANDARD)**
(Hardware Available in Black & Satin)



**ACACIA (VOGUE) HANDLE
(OPTIONAL)**
(Hardware Available in Black & Satin)



**ARIA TWIN BOLT LOCK HANDLE
(STANDARD)**
(Hardware Available in Black & Satin)



**OPTIMUM (4-POINT) MORTICE DEADBOLT LOCK
(STANDARD)**
(Hardware Available in Satin)



**EURO PROFILE HALF CYLINDER
(STANDARD)**
(Satin Only)



**MAGNETIC DOOR CATCH FOR SWING DOOR
(STANDARD)**
(Hardware Available in Black & Satin)



**EURO PROFILE CYLINDER
(OPTIONAL)**
(Hardware Available in Black & Satin)



**MAGNETIC DOOR CATCH FOR FOLDING PANEL
(STANDARD)**
(Black Only)

HARDWARE

Corporate Office

2301 East Vernon Avenue
Vernon, CA 90058

Ph 323.269.7300

Fx 323-269-7390

info@arcadiainc.com

Washington Office

7830 S. 196th Street
Kent, Washington 98032

Ph 425-869-7300

Fx 253-395-4234

Arizona Office

2920 E. Chambers Street
Phoenix, AZ 85040

Ph 602-437-2514

Fx 602-437-2515

Dallas Office

7601 Ambassador Row
Dallas, TX 75247

Ph 469-210-8245

Fx 214-496-0156

Nevada Office

1850 East Maule Avenue
Las Vegas, NV 89119

Ph 702-798-7300

Fx 702-798-7305

Connecticut Office

110 Viaduct Road
Stamford, CT 06907

Ph 203-316-8000

Fx 203-316-8200

Hawaii Office

94-410 Uke'e Street, Bldg #A
Waipahu, HI 96797

Ph 808-678-9700

Fx 808-676-8663

Northern California Office

2187 Alpine Way
Hayward, CA 94545

Ph 510-783-4990

Fx 510-783-1149

Sacramento Office

2324 Del Monte Street
Sacramento, CA 95691

Ph 916-375-1478

Fx 916-375-1523

arcadia
www.arcadiainc.com